



gS
NH
fuse links

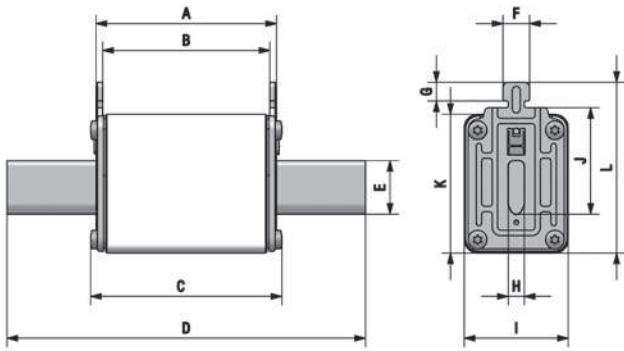
RATED VOLTAGE
690V AC

RATED CURRENT
20A...160A

BREAKING CAPACITY
100kA (690V AC)
30kA (440V DC)



DIMENSIONS



	A	B	C	D	E	F	G	H	I	J	K	L
NH000	49	45	52	78,5	15	10	9,5	6	21	35	40	53
NH00*	49	44	52	78,5	15	10	9,5	6	29	35	47	59

* only available in gS semiconductor fuse links

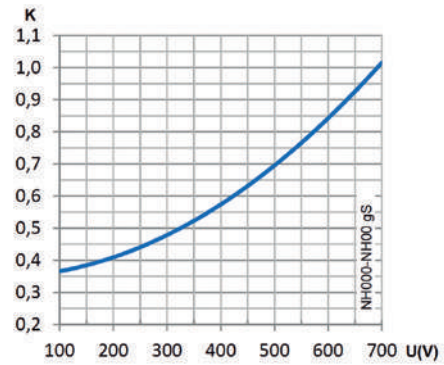
POWER DISSIPATION

I_n	I_t^2 PREARcing	OPERATING I_t^2	POWER LOSS	POWER LOSS
(A)	(A ² S)	@690V (A ² S)	$0,8 \cdot I_n$ (W)	I_n (W)

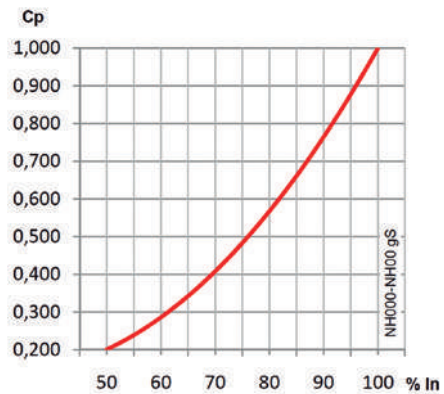
NH000	20	31	116	2,9	5,1
	25	49	181	3,2	5,6
	32	96	355	3,9	6,6
	40	196	724	4,2	7,2
	50	331	1.224	5,1	8,5
	63	782	2.897	5,3	9,1
NH00	80	1.420	5.270	6,3	11,0
	100	2.130	7.880	7,6	13,3

NH00	125	3.380	11.550	8,3	14,7
	160	6.400	21.840	10,5	18,2

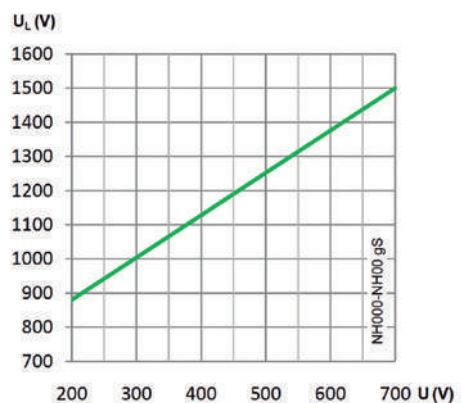
I²t CORRECTION FACTOR (K)



CORRECTION FACTOR FOR POWER LOSS (Cp)



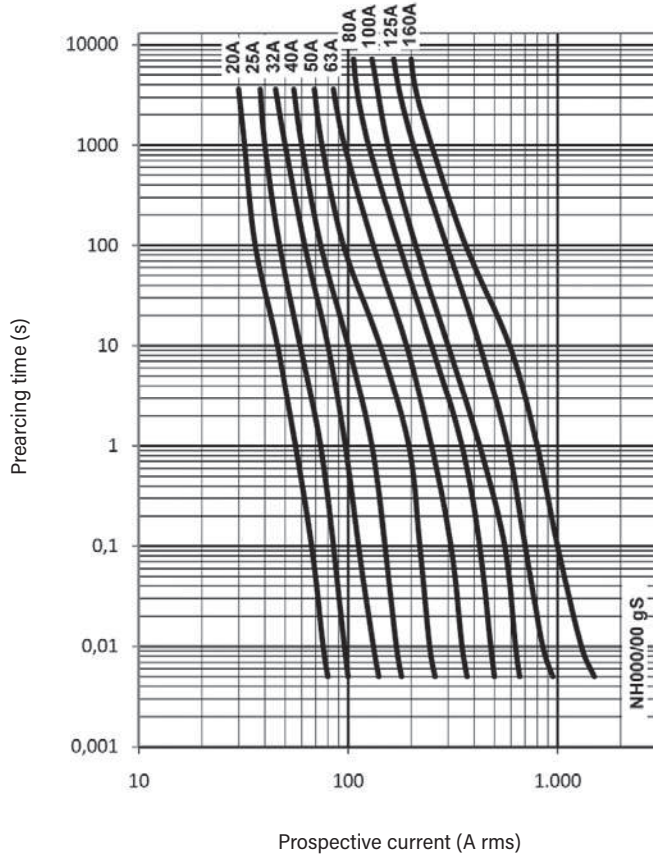
PEAK ARC VOLTAGE (U_L)





gS
NH
fuse links

t-I CHARACTERISTICS



CUT-OFF CHARACTERISTICS

