

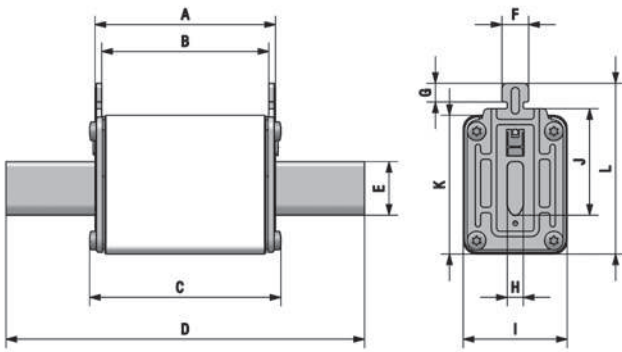


gS
NH
fuse links

RATED VOLTAGE	RATED CURRENT	BREAKING CAPACITY
690V AC	125A...280A	100kA (690V AC)
		30kA (550V DC)



DIMENSIONS

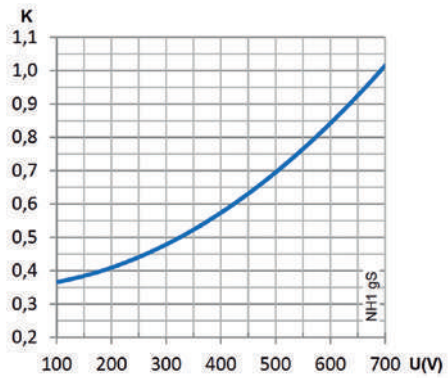


A	B	C	D	E	F	G	H	I	J	K	L
68	62	71,5	135	20	10	9,5	6	39	40	52	64

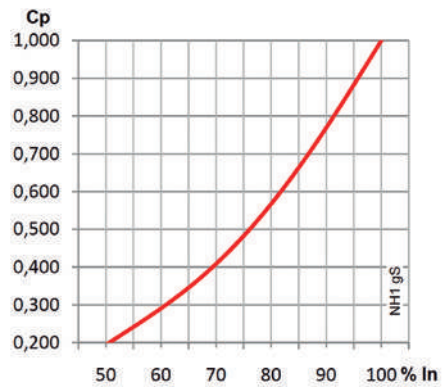
POWER DISSIPATION

I_n	I^2t PREARcing	OPERATING I^2t @690V	POWER LOSS $0.8 \cdot I_n$	POWER LOSS I_n
(A)	(A ² S)	(A ² S)	(W)	(W)
125	3.800	11.680	10,7	19,7
160	6.290	19.300	14,5	25,3
200	13.120	40.280	16,1	28,6
250	25.160	77.230	19,5	33,2
280	37.590	115.370	20,1	35,7

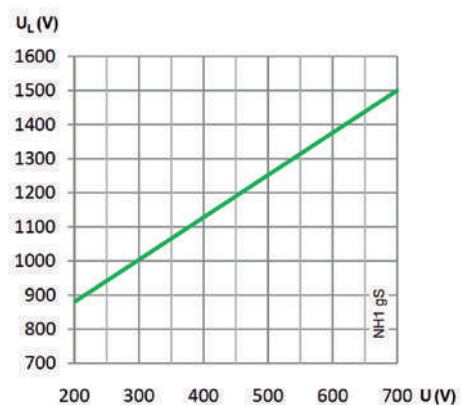
I^2t CORRECTION FACTOR (K)



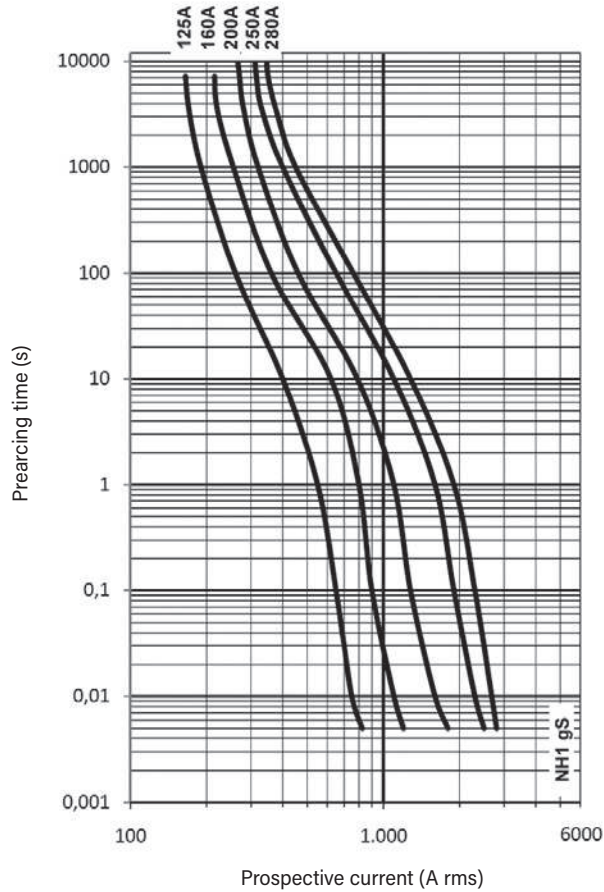
CORRECTION FACTOR FOR POWER LOSS (Cp)



PEAK ARC VOLTAGE (U_L)



t-I CHARACTERISTICS



CUT-OFF CHARACTERISTICS

