

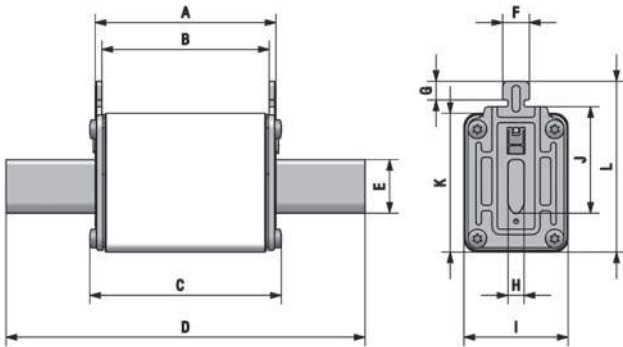


gS
NH
fuse links

RATED VOLTAGE	RATED CURRENT	BREAKING CAPACITY
690V AC	250A...450A	100kA (690V AC)
		30kA (550V DC)



DIMENSIONS

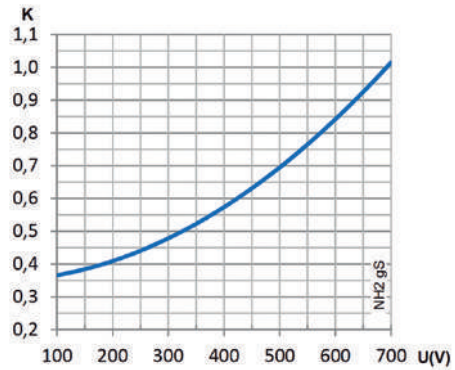


A	B	C	D	E	F	G	H	I	J	K	L
68	62	71,5	150	25	10	9,5	6	53	48	60	72

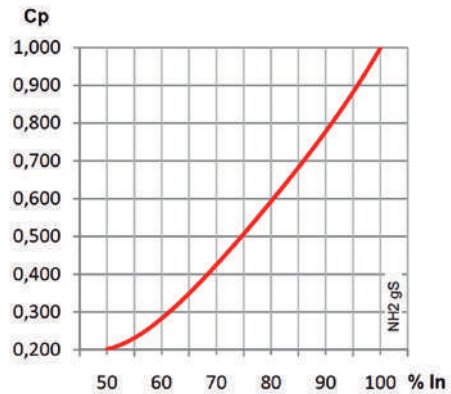
POWER DISSIPATION

I_n	I_t^2 PREARcing	OPERATING I_t^2 @690V	POWER LOSS $0.8 \cdot I_n$	POWER LOSS I_n
(A)	(A ² S)	(A ² S)	(W)	(W)
250	24.280	74.460	18,6	32,2
315	50.660	155.360	20,8	35,8
355	67.450	206.850	23,4	40,1
400	100.770	309.000	24,4	42,6
450	140.740	431.580	33,9	47,2

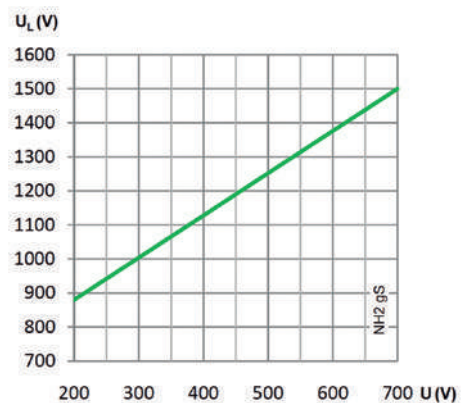
I_t^2 CORRECTION FACTOR (K)



CORRECTION FACTOR FOR POWER LOSS (Cp)

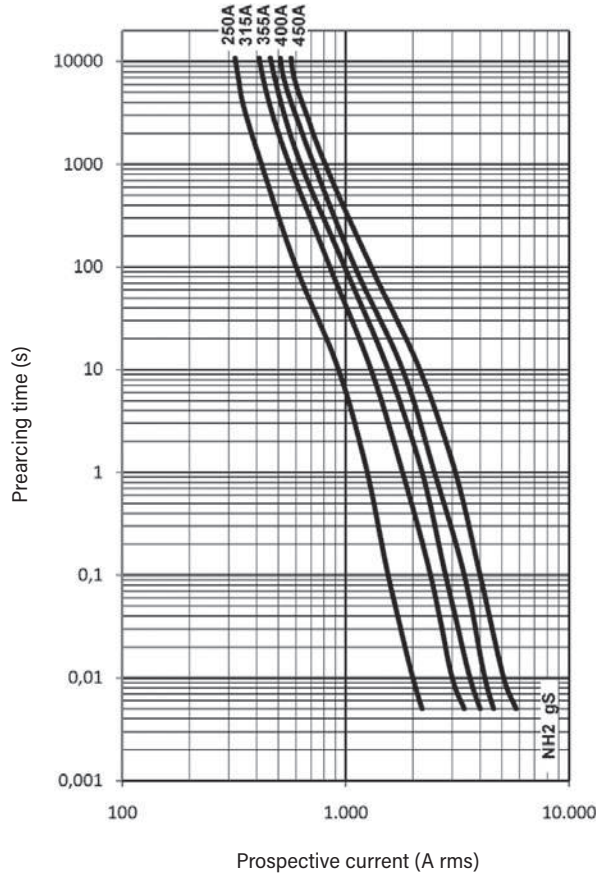


PEAK ARC VOLTAGE (U_t)





t-I CHARACTERISTICS



CUT-OFF CHARACTERISTICS

