

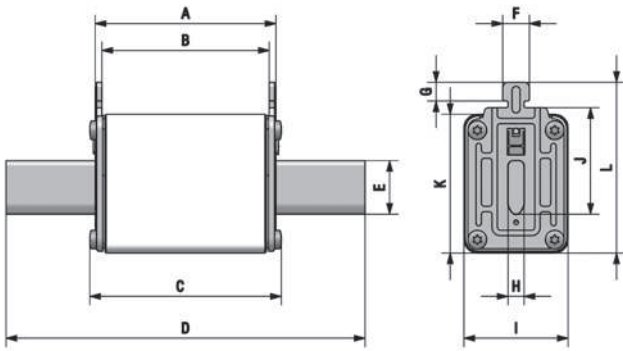


gS  
NH  
fuse links

RATED VOLTAGE	RATED CURRENT	BREAKING CAPACITY
690V AC	355A...630A	100kA (690V AC)
		30kA (550V DC)



## DIMENSIONS

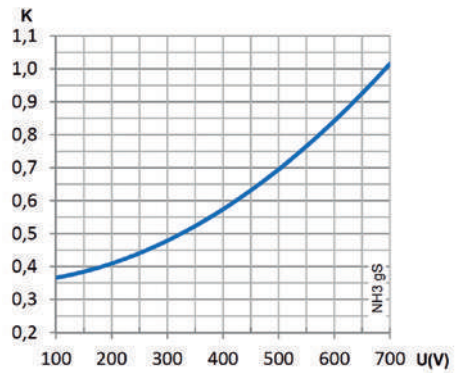


A	B	C	D	E	F	G	H	I	J	K	L
68	62	73	150	32	10	9,5	6	70	60	75	87

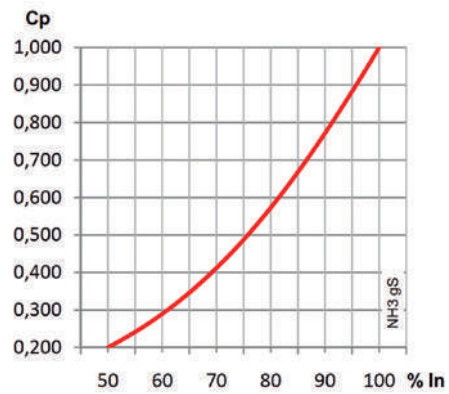
## POWER DISSIPATION

$I_n$ (A)	$I_t^2$ PREARcing (A <sup>2</sup> S)	OPERATING $I_t^2$ @690V (A <sup>2</sup> S)	POWER LOSS $0.8 \cdot I_n$ (W)	POWER LOSS $I_n$ (W)
355	54.240	151.700	22,7	39,6
400	75.760	211.900	24,3	42,7
450	114.770	320.970	26,3	46,0
500	165.270	462.200	27,6	47,1
630	303.060	847.570	34,3	60,4

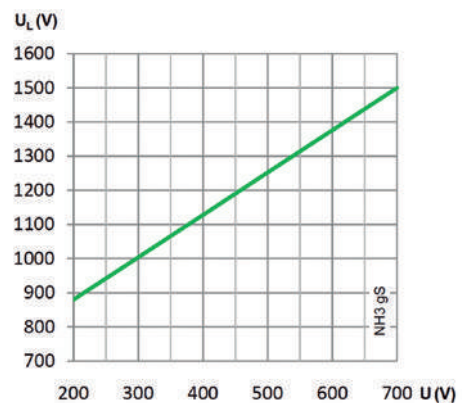
## $I^2t$ CORRECTION FACTOR (K)



## CORRECTION FACTOR FOR POWER LOSS (Cp)

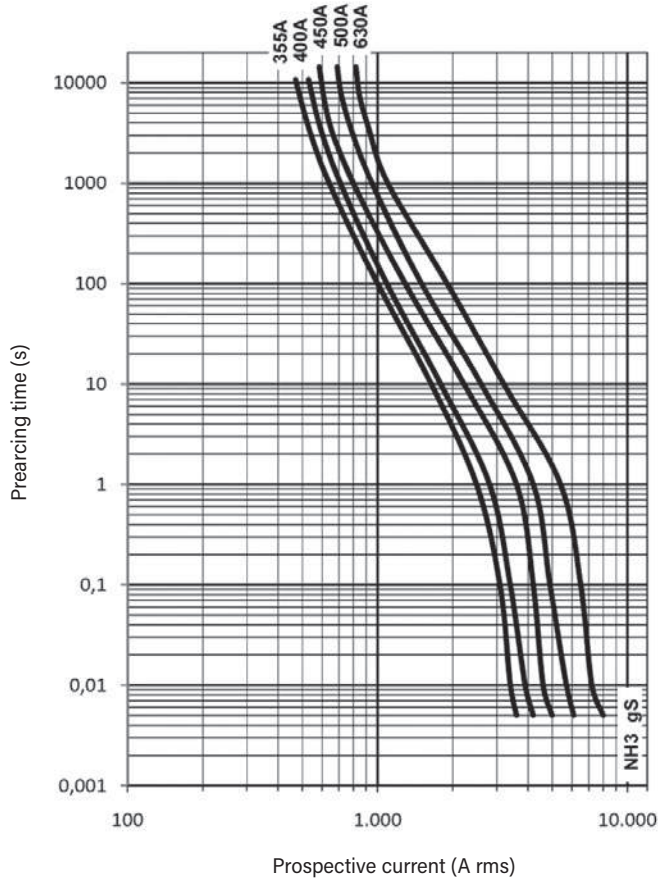


## PEAK ARC VOLTAGE (U<sub>L</sub>)





## t-I CHARACTERISTICS



## CUT-OFF CHARACTERISTICS

