

RAPIDPLUS

HIGH SPEED FUSE LINKS FOR SEMICONDUCTORS

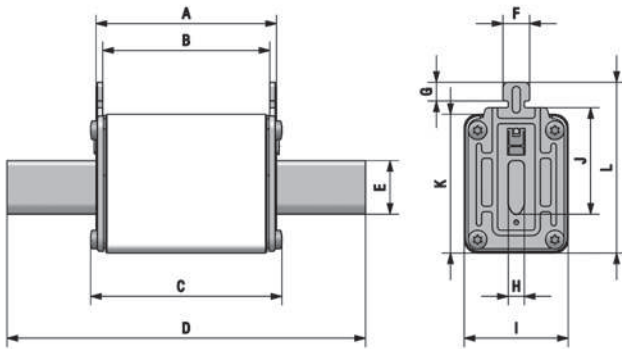


aR
NH
fuse links

RATED VOLTAGE	RATED CURRENT	BREAKING CAPACITY
690V AC	40A...400A	120kA (690V AC)
		30kA (550V DC)



DIMENSIONS

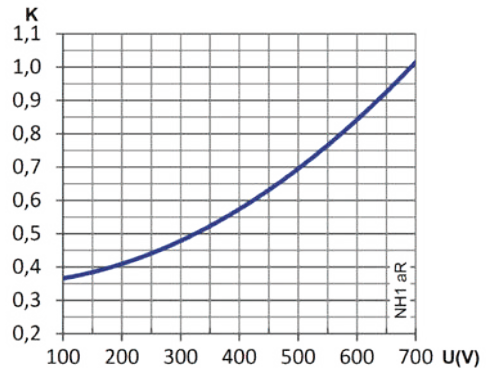


A	B	C	D	E	F	G	H	I	J	K	L
68	62	71,5	135	20	10	9,5	6	39	40	52	64

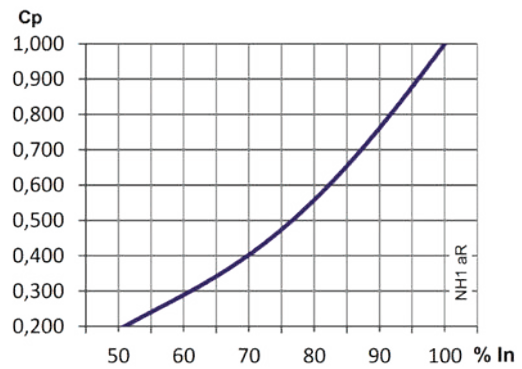
POWER DISSIPATION

I_n	I_t^2 PREARcing	OPERATING I_t^2 @690V	POWER LOSS $0.8 \cdot I_n$	POWER LOSS I_n
(A)	(A ² S)	(A ² S)	(W)	(W)
40	55	320	8,1	14
50	97	570	9,6	17
63	220	1.300	11	19
80	370	2.300	13	23
100	570	3.590	18	32
125	980	6.080	24	44
160	1.710	10.560	25	45
200	3.040	18.770	33	59
250	5.400	33.380	41	73
315	10.220	63.110	43	77
350	12.160	75.100	45	80
400	23.000	142.000	52	93

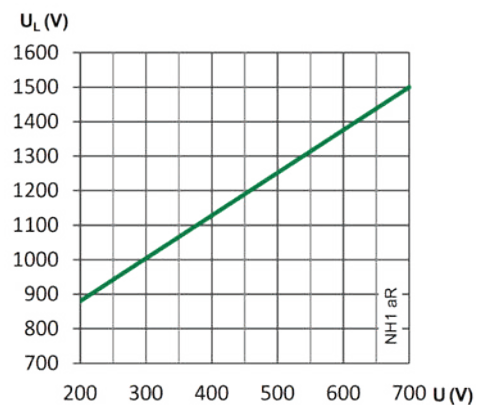
I_t^2 CORRECTION FACTOR (K)



CORRECTION FACTOR FOR POWER LOSS (Cp)



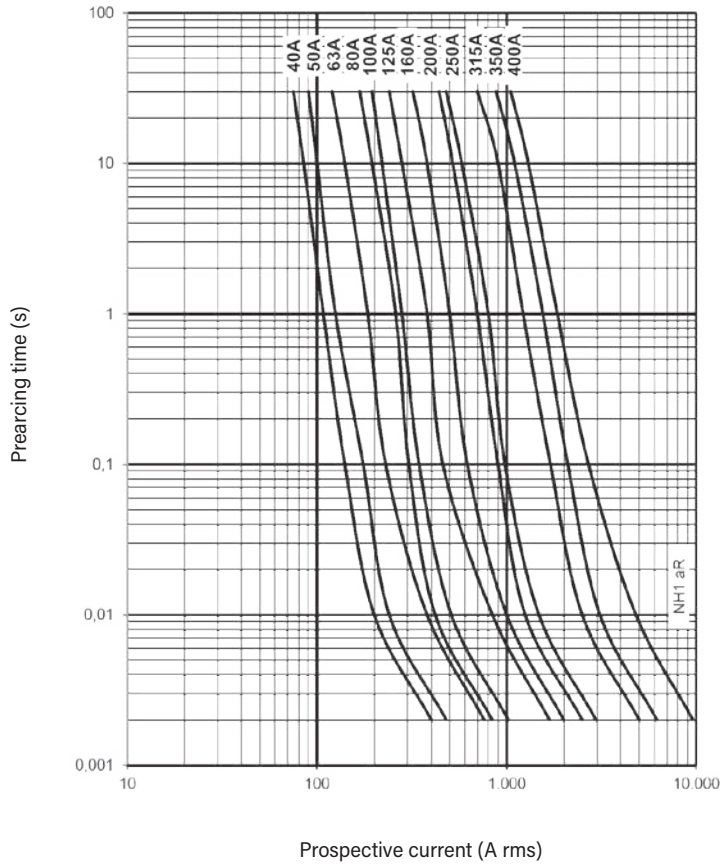
PEAK ARC VOLTAGE (U_L)





aR
NH
fuse links

t-I CHARACTERISTICS



CUT-OFF CHARACTERISTICS

