

RAPIDPLUS

HIGH SPEED FUSE LINKS FOR SEMICONDUCTORS

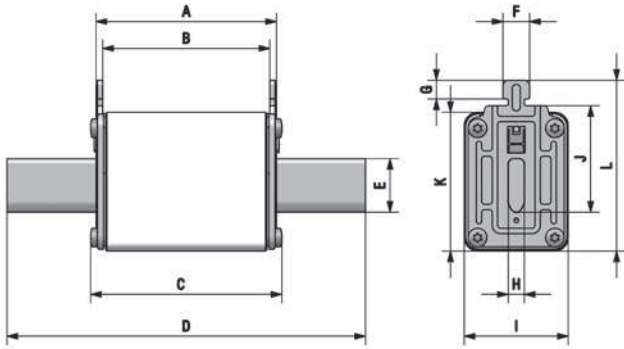


aR
NH
fuse links

| RATED VOLTAGE | RATED CURRENT | BREAKING CAPACITY |
|---------------|---------------|--------------------|
| 690V AC | 200A...700A | 120kA (690V AC) |
| | | 30kA (550V DC) |



DIMENSIONS

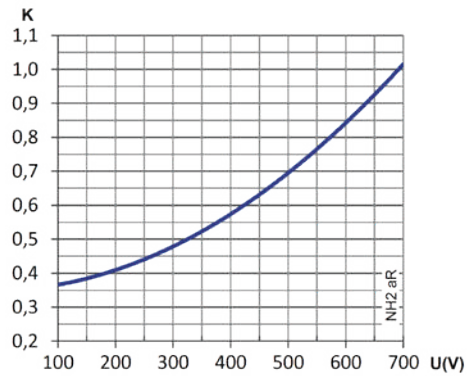


| A | B | C | D | E | F | G | H | I | J | K | L |
|----|----|------|-----|----|----|-----|---|----|----|----|----|
| 68 | 62 | 71,5 | 150 | 25 | 10 | 9,5 | 6 | 53 | 48 | 60 | 72 |

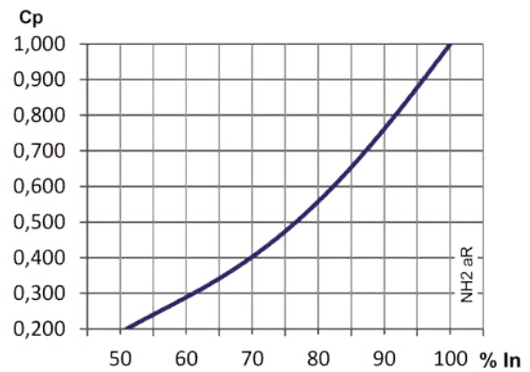
POWER DISSIPATION

| I_n (A) | I_t^2 PREARcing (A ² S) | OPERATING I_t^2 @690V (A ² S) | POWER LOSS $0.8 \cdot I_n$ (W) | POWER LOSS I_n (W) |
|--------------|---|--|--------------------------------------|----------------------------|
| 200 | 1.550 | 9.430 | 53 | 95 |
| 250 | 3.250 | 19.670 | 56 | 100 |
| 315 | 6.230 | 37.720 | 57 | 102 |
| 350 | 9.300 | 56.340 | 58 | 104 |
| 400 | 13.000 | 78.700 | 72 | 129 |
| 450 | 17.000 | 102.000 | 77 | 137 |
| 500 | 24.500 | 147.000 | 83 | 148 |
| 550 | 36.000 | 216.000 | 85 | 152 |
| 630 | 47.220 | 283.330 | 95 | 170 |
| 700 | 68.000 | 408.000 | 99 | 178 |

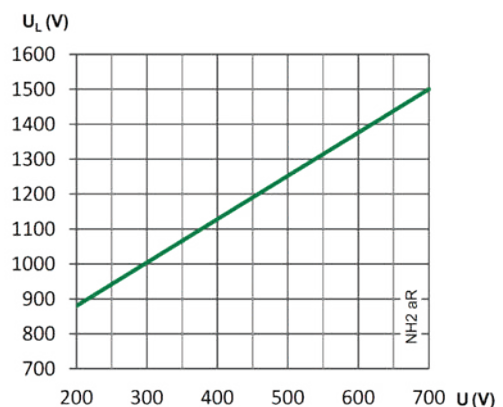
I_t^2 CORRECTION FACTOR (K)



CORRECTION FACTOR FOR POWER LOSS (Cp)

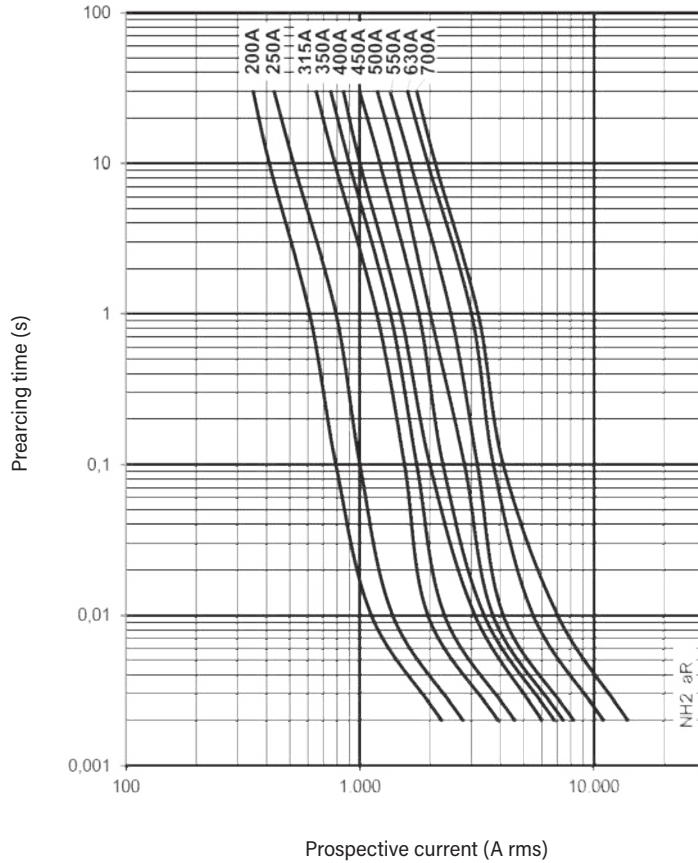


PEAK ARC VOLTAGE (U_L)





t-I CHARACTERISTICS



CUT-OFF CHARACTERISTICS

