

RAPIDPLUS

HIGH SPEED FUSE LINKS FOR SEMICONDUCTORS

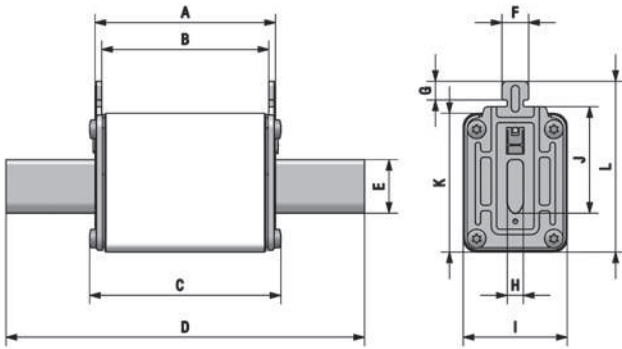


aR
NH
fuse links

RATED VOLTAGE	RATED CURRENT	BREAKING CAPACITY
690V AC	500A...1000A	120kA (690V AC)
		30kA (550V DC)



DIMENSIONS

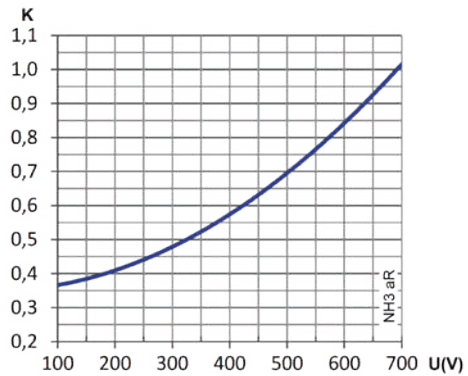


A	B	C	D	E	F	G	H	I	J	K	L
68	62	73	150	32	10	9,5	6	70	60	75	87

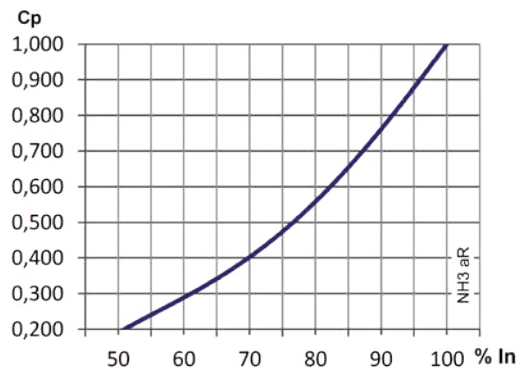
POWER DISSIPATION

I_n	I_t^2 PREARcing	OPERATING I_t^2 @690V	POWER LOSS $0.8 \cdot I_n$	POWER LOSS I_n
(A)	(A ² S)	(A ² S)	(W)	(W)
500	22.160	109.000	76	136
550	32.100	158.060	81	145
630	45.500	220.000	89	159
700	65.520	322.200	103	184
800	97.870	481.310	107	191
900	126.380	621.520	121	216
1000	182.000	895.000	150	268

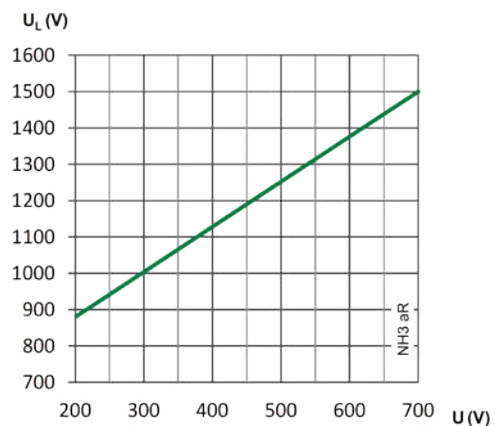
I_t^2 CORRECTION FACTOR (K)



CORRECTION FACTOR FOR POWER LOSS (Cp)

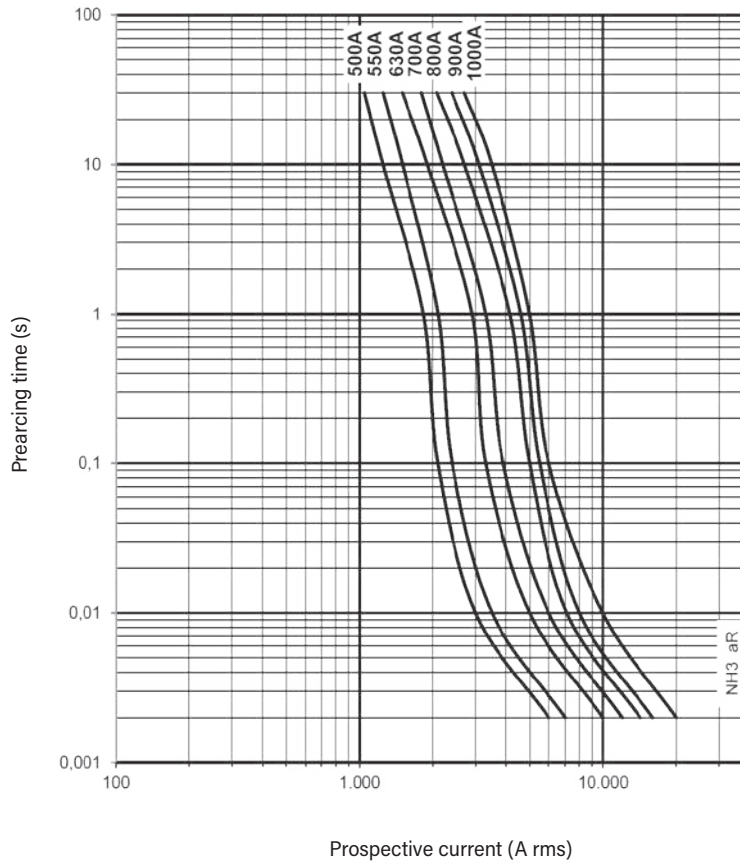


PEAK ARC VOLTAGE (U_L)





t-I CHARACTERISTICS



CUT-OFF CHARACTERISTICS

