

# PHOTOVOLTAIC

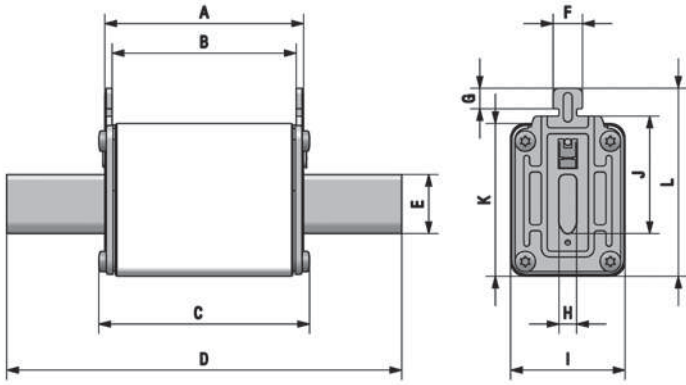
FUSE-LINKS & FUSE HOLDERS FOR PHOTOVOLTAIC APPLICATIONS



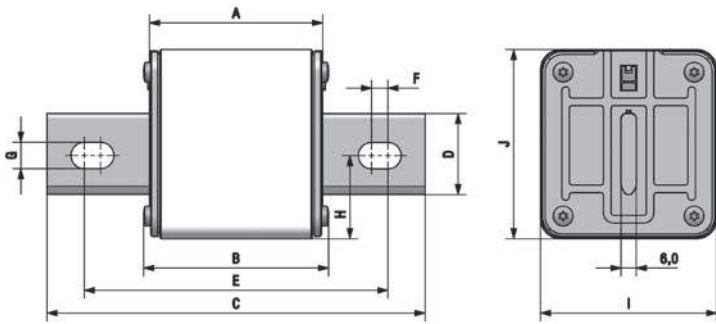
**gPV**  
NH 1000V DC  
fuse links

**RATED VOLTAGE** 1000V DC  
**RATED CURRENT** 25A...400A  
**BREAKING CAPACITY** 30kA

## DIMENSIONS



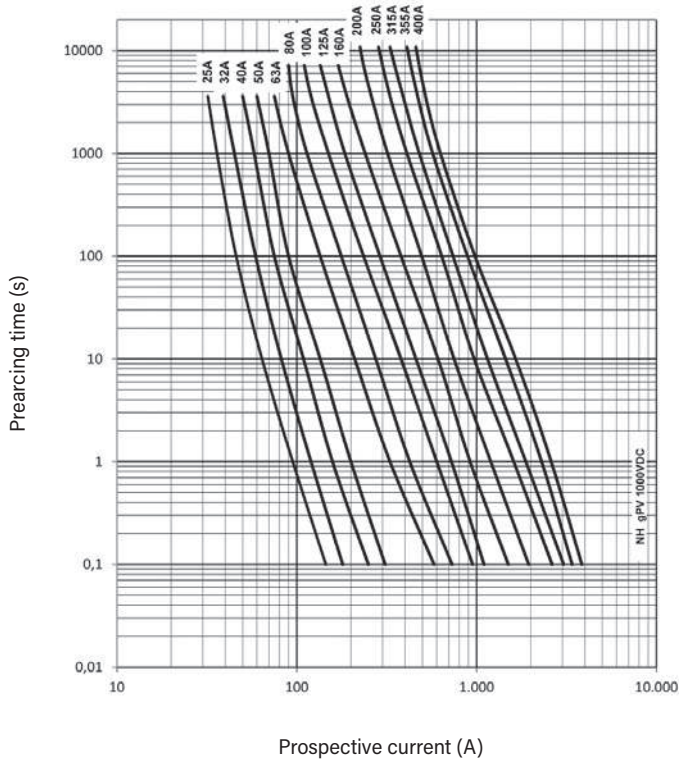
	A	B	C	D	E	F	G	H	I	J	K	L
<b>NH1</b>	68	62	71,5	135	20	10	9,5	6	39	40	52	64
<b>NH2</b>	68	62	71,5	150	25	10	9,5	6	53	48	60	72
<b>NH3</b>	68	62	73	150	32	10	9,5	6	70	60	75	87






	A	B	C	D	E	F	G	H	I	J
<b>NH1</b>	68	71,5	135	20	113	9	8,5	25,6	39	52,5
<b>NH2</b>	68	71,5	150	25	118	9	10,5	27	53	60,5
<b>NH3</b>	68	73	150	32	120	6,5	10,5	33	70	75



## t-I CHARACTERISTICS



## POWER DISSIPATION

	RATED CURRENT (A)	REFERENCE	POWER DISSIPATION (W @ 0,7 In)	POWER DISSIPATION (W @ In)	PREARcing I <sup>2</sup> t (A <sup>2</sup> s)	OPERATING I <sup>2</sup> t (A <sup>2</sup> s)
	25	<b>373210 373210 B</b>	5,2	12,5	62	94
	32	<b>373215 373215 B</b>	6,3	15,5	122	184
	40	<b>373225 373225 B</b>	6,7	16,6	302	454
	50	<b>373230 373230 B</b>	7,5	18	562	844
	63	<b>373235 373235 B</b>	8,2	20	1.210	1.815
	80	<b>373240 373240 B</b>	10	27	2.250	3.375
	100	<b>373245 373245 B</b>	11	28	4.000	6.000
	125	<b>373250 373250 B</b>	12,5	32	6.500	9.700
	160	<b>373255 373255 B</b>	13,5	34,0	9.200	16.600
200	<b>373260 373260 B</b>	12,5	30,0	19.900	38.300	
	200	<b>373350 373350 B</b>	11,4	28,0	18.700	36.400
	250	<b>373360 373360 B</b>	13,0	33,3	36.800	71.500
	200	<b>373425 373425 B</b>	19,5	48,0	21.700	31.700
	250	<b>373435 373435 B</b>	20,5	51,5	41.000	60.000
	315	<b>373445 373445 B</b>	26,2	66,0	76.000	111.500
	355	<b>373450 373450 B</b>	18,0	46,5	74.700	130.700
	400	<b>373455 373455 B</b>	20,0	51,0	104.400	182.600