

PHOTOVOLTAIC

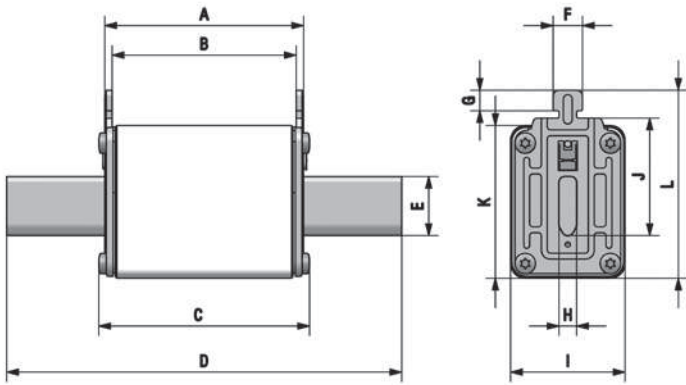
FUSE-LINKS & FUSE HOLDERS FOR PHOTOVOLTAIC APPLICATIONS



gG / gL
NH 800V AC
 fuse links

RATED VOLTAGE	RATED CURRENT	BREAKING CAPACITY
800V AC	25A...315A	80kA

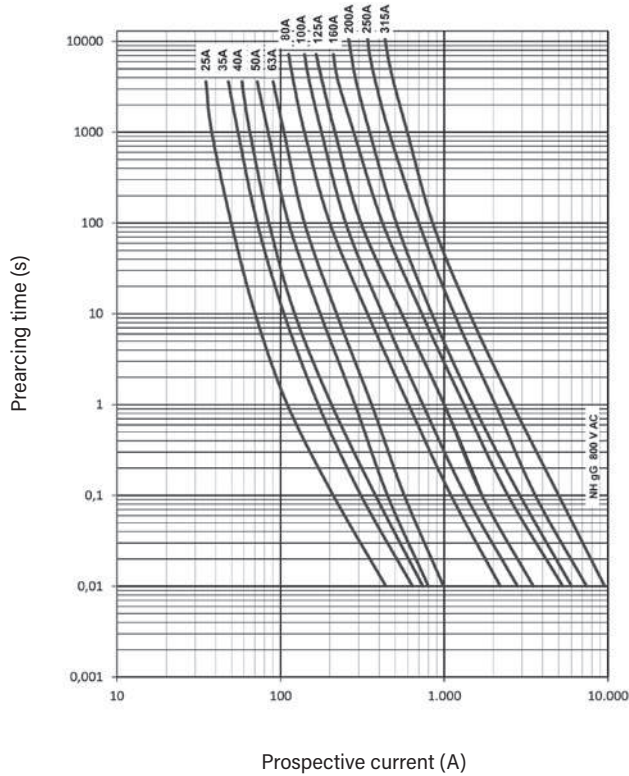
DIMENSIONS






	A	B	C	D	E	F	G	H	I	J	K	L
NHC1	68	62	70,5	135	15	10	9,5	6	29	40	47	64
NH1	68	62	71,5	135	20	10	9,5	6	39	40	52	64
NH3	68	62	73	150	32	10	9,5	6	70	60	75	87



t-I CHARACTERISTICS



POWER DISSIPATION

	RATED CURRENT (A)	REFERENCE	POWER DISSIPATION (W)	PREARcing I ² t (A ² s)	OPERATING I ² t (A ² s 800V ~)
	25	385210	4,1	1.150	2.770
	35	385220	4,8	2.780	6.700
	40	385225	5,0	4.600	11.080
	50	385230	5,3	4.680	11.300
	63	385235	6,1	9.400	22.670
	80	385240	10,0	16.550	33.855
	100	385245	12,0	32.430	66.355
	125	385250	14,0	59.730	122.215
	160	385255	18,0	95.300	195.000
	200	385425	21,0	140.150	245.000
	250	385435	25,0	241.500	422.000
	315	385445	34,5	395.000	698.000